

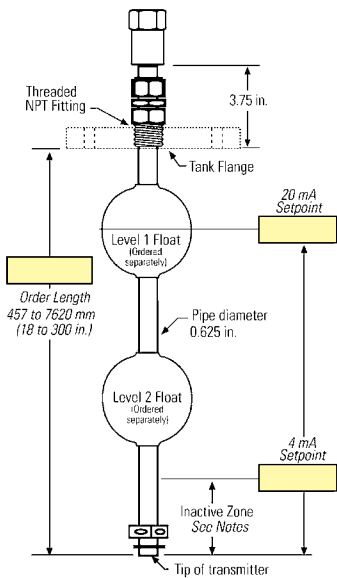


**Bensenville Office** Milwaukee Office  
 Phone: 800-953-7626 Phone: 800-837-1700  
 Fax: 630-595-2386 Fax: 262-923-1797  
 E-mail: sales@lesman.com  
 Contact: \_\_\_\_\_ Ext. \_\_\_\_\_

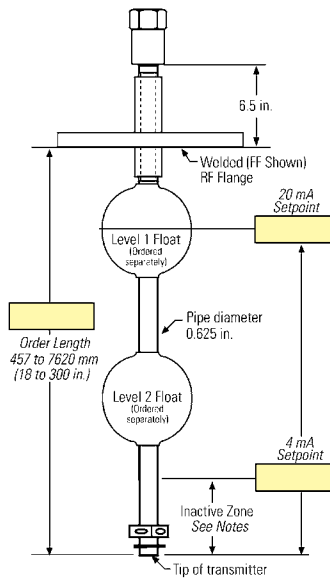
Name: \_\_\_\_\_  
 Company: \_\_\_\_\_  
 Street: \_\_\_\_\_  
 City: \_\_\_\_\_ State: \_\_\_\_\_ Zip: \_\_\_\_\_  
 Phone: (\_\_\_\_) \_\_\_\_\_ Fax: (\_\_\_\_) \_\_\_\_\_  
 E-mail Address: \_\_\_\_\_  
 This is a:  Request for Quote  Order: PO# \_\_\_\_\_  
 Quantity Needed: \_\_\_\_\_ Date Required: \_\_\_\_/\_\_\_\_/\_\_\_\_  
 Shipping Method: \_\_\_\_\_ Partial Accepted:  Yes  No

# MTS® Magnetostrictive Gauge Application Datasheet

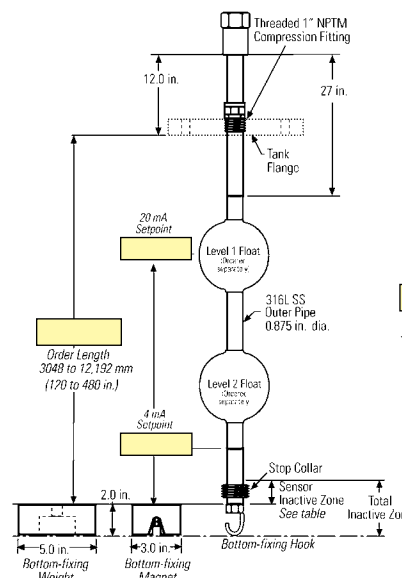
**Rigid sensor pipe with threaded NPT fitting**



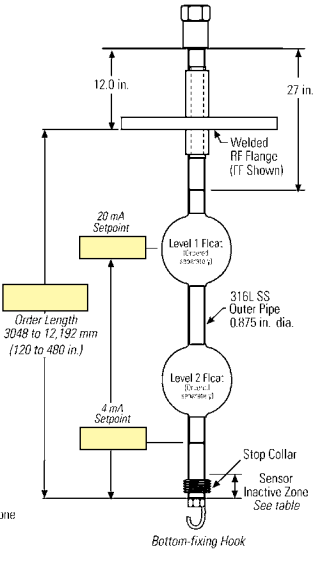
**Rigid sensor pipe with welded RF fitting**



**Flexible sensor pipe with threaded NPT fitting**



**Flexible sensor pipe with welded RF fitting**



**Choose the style gauge you need. Then fill in the yellow boxes below (order length, 4 mA, and 20 mA location) with the appropriate values for your installation and process.**

Inactive Zones	Gauges <48"	Gauges >48"
316SS, Hastelloy C	2.9"	2.9"
Teflon	4.2"	5.2"

Inactive Zone	Sensor <25'	Sensors 25'-40'
	3.0"	3.8"

Model #: \_\_\_\_\_ Quantity: \_\_\_\_\_

Sensor Pipe Material: \_\_\_\_\_

Housing Type (Check One):  None  NEMA 4X

Single Cavity  Single Cavity with Display

Dual Cavity  Dual Cavity with Display

Flange/Process Connection: \_\_\_\_\_

Level 1 Float Part No: \_\_\_\_\_

Float Material: \_\_\_\_\_

Pressure: \_\_\_\_\_

Specific Gravity: \_\_\_\_\_

Level 2 Float Part No: \_\_\_\_\_

Float Material: \_\_\_\_\_

Pressure: \_\_\_\_\_

Specific Gravity: \_\_\_\_\_

Signal Output: 4-20 mA

Loop 1 (Check One)  Level 1  Level 2  Temperature

Loop 2 (Check One)  Level 1  Level 2  Temperature

Alarm Setting (Check One)  Low (3.8 mA)  High (21.5 mA)

Approval Required (Check One):

FM  CSA  Explosion-Proof  Intrinsically Safe

Market Description (Check One)

- FB Food and Beverage
- CH General Chemical
- HP High Value Petrochemicals
- LP LPG/LNG
- PE Petrochemical
- MA Petroleum Marketing
- PL Petroleum Pipeline
- PR Petroleum Production
- RE Petroleum Refining
- PB Pharmaceutical/Biotech
- SG Sight Glass
- SV Solvents
- TR Transportation
- US Ultrapure Chemicals/Semiconductor