

The 800 Series is designed for industrial applications such as mining, cement, chemical processing, pulp and paper and other heavy duty industries. It provides accurate, reliable measurement and control of material feed rates for medium-to high-capacity loads.

Field tested and proven in hundreds of applications, it enhances profitability by ensuring accuracy, enhancing blend consistency, reducing downtime and improving accountability and record keeping. The unique weigh system reduces dead load and applies live load directly to load cells for accurate measurement. The dual load cells are externally mounted for easy access and maintenance.

It is available in a variety of lengths from 1.5 m (62"), belt widths from under 0.5 m (18") to more than 1 m (42"), several different inlet configurations and materials of construction. It can be configured to suit various applications.

Standard components include the belt weigh bridge, speed sensor and test weights, supported by Milltronics' state-of-the-art microprocessor-based integrators for easy blending, batching and feed rate control.



Product Features

- Rugged, durable design for heavy duty applications
- Handles medium- to high-capacity loads
- Standard mild steel open or enclosed construction
- Heavy duty 102 mm (4") diameter idlers
- Large 203 mm (8") diameter head and tail pulleys for maximum traction
- Easy to replace endless belt
- Spring tensioned belt cleaner
- Fast installation, easy to clean and maintain

Technical Specifications

Accuracy

- +/- 0.5%

Operating Temperature

- -10°C to 40°C (14°F to 104°F)

Materials

- mild steel with stainless steel contact parts optional

Load Cells

- two corrosion resistant platform type with mechanical overload protection

Output

- non-linearity +/- 0.03%
- non-repeatability 0.02%

Speed Sensor

- industrial duty, digital optical encoder, tail shaft mounted

Framework

- precision machined with cantilevered mild steel structural frame for quick and easy belt removal

Pulleys

- 200 mm (8") crowned with 6mm (1/4") rubber lagging on drive pulley for maximum traction

Belt Tension

- screw type, telescoper module with 150 mm (6") travel

Idlers

- heavy duty 100 mm (4") CEMA C with precision ground ball bearings and triple labyrinth seals for longer life

Belting

- black nitrile rubber, 135 PIW 3-ply vulcanised endless with 'B' section (standard)
- 50 mm (2") corrugated sidewalls (optional)

Drive

- 0.37 kW (0.5 HP), TEFC, 208/230/460/575 Vac, three phase or 90/180 Vdc permanent magnet - both with shaft mounted gear reducer, or reducer/chain drive
- larger/other motor sizes and voltages available

Belt Cleaning

- spring tensioned UHMW blade at head pulley
- return plow at tail pulley (optional)

Shipping Weight

- 410 kg (900 lbs.) to 820 kg (1800 lbs.) maximum

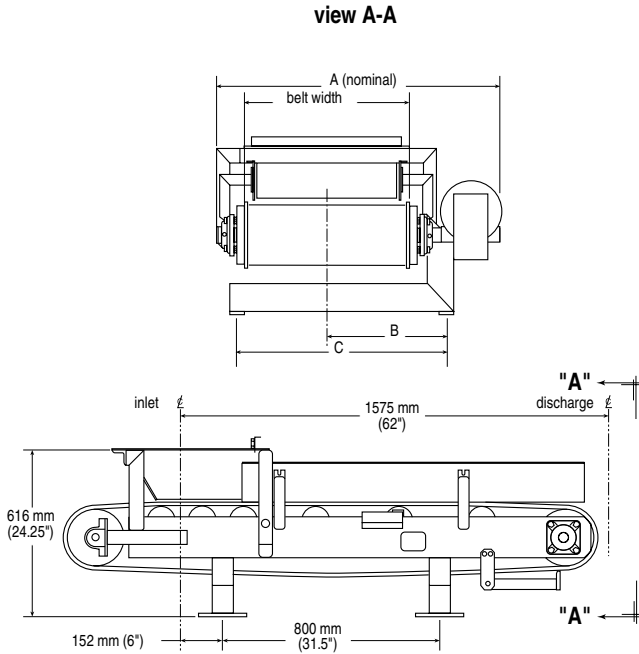
Approvals

- for use in hazardous rated areas, consult with factory

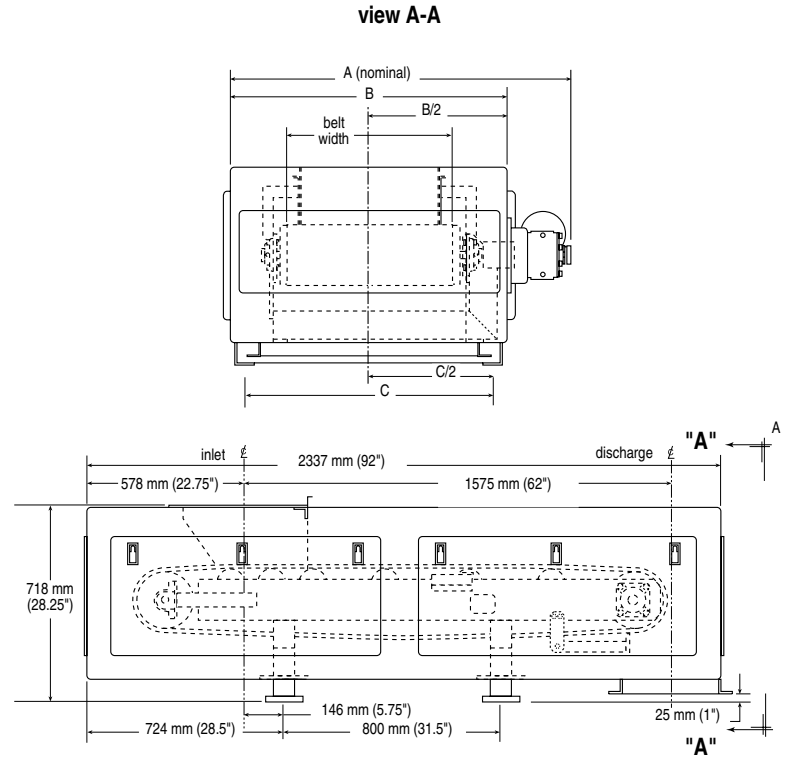
Autoweigh Feeder 800 Series

Dimensions

Open Construction



Enclosed Construction



Open Unit			
Belt Width	A	B	C
457mm (18")	889mm (35.00")	368mm (14.50")	622mm (24.50")
610mm (24")	1041mm (41.00")	445mm (17.50")	775mm (30.50")
762mm (30")	1194mm (47.00")	521mm (20.50")	927mm (36.50")
914mm (36")	1346mm (53.00")	597mm (23.50")	1080mm (42.50")
1067mm (42")	1499mm (59.00")	673mm (26.50")	1232mm (48.50")

Enclosed Unit			
Belt Width	A	B	C
457mm (18")	1100mm (43.31")	870mm (34.25")	762mm (30.00")
610mm (24")	1253mm (49.31")	1022mm (40.25")	914mm (36.00")
762mm (30")	1405mm (55.31")	1175mm (46.25")	1067mm (42.00")
914mm (36")	1557mm (61.31")	1327mm (52.25")	1219mm (48.00")
1067mm (42")	1710mm (67.31")	1480mm (58.25")	1372mm (54.00")



Australia	Tel.: +61 3-9695-2400	Fax: +61 3-9695-2450
Belgium	Tel.: +32(0)3326 45 54	Fax: +32(0)3326 05 25
Canada	Tel.: +1 705-745-2431	Fax: +1 705-741-0466
France	Tel.: +33 4 42 65 69 00	Fax: +33 4 42 58 63 95
Germany	Tel.: +49 721 595 4607	Fax: +49 721 595 4937
Hong Kong	Tel.: +85 2-2856-3166	Fax: +85 2-2856-2962
Mexico	Tel.: +52 5 575-27-28	Fax: +52 5 575-26-86
The Netherlands	Tel.: +31(0)76 542 7 542	Fax: +31(0)76 542 8 542
Switzerland	Tel.: +41 21 791 58 28	Fax: +41 21 791 58 40
United Kingdom	Tel.: +44 1905-450500	Fax: +44 1905-450501
United States	Tel.: +1 817-277-3543	Fax: +1 817-277-3894

www.milltronics.com