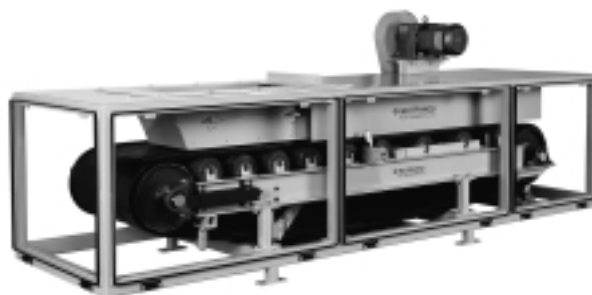


The 1200/3600 Series of high-capacity weigh feeders is designed for the most demanding heavy duty applications. These units provide solid performance in rugged operating environments common to mining, aggregates, cement, minerals and other process industries. They help improve profitability as they improve blend consistency, reduce downtime and improve accountability and record keeping.

The weigh bridge has a patented dual idler stainless steel torque shaft suspension with no moving parts designed to eliminate material build-up. This design reduces dead load and applies live load to the load cells. The load cell is completely encapsulated and hermetically sealed to guard against contamination from dust, moisture or corrosion. The result is reliable accuracy and low maintenance.

The 1200/3600 Series can be configured to suit various applications. It is available in a range of belt widths from 460 mm (18") to 1830 mm (72"), lengths from 2.35 m (79"), and with various inlet configurations and materials of construction. Options include a cantilevered frame for easier endless belt replacement, mechanical skirting, return belt ploughs, belt misalignment switches, emergency pull-cords, de-dusting hoods, sample gates, special belt construction and belt flanging.

Standard components include belt weigh bridge, speed sensor, and test weights, all supported by Milltronics' state-of-the-art microprocessor-based integrators for easy blending, batching and feed rate control.



Product Features

- Heavy duty design for high feeding capacity
- Heavy duty 127 mm (5") diameter idlers
- Large 305 mm (12") diameter (Series 1200) to 914 mm (36") diameter (Series 3600) head and tail pulleys to maximize traction
- Heavy duty pillow block and take-up bearings
- Spring-tensioned belt cleaner
- Fast installation, easy maintenance

Technical Specifications

Accuracy

- +/- 0.5%

Operating Temperature

- -10° to 60°C (14°F to 140°F) with higher temperatures available

Materials

- mild steel with stainless steel contact parts optional

Load Cells

- hermetically sealed stainless steel strain gauge load cell(s) with 1000% mechanical overload protection

Speed Sensor

- industrial duty, digital optical encoder, tail shaft mounted

Framework

- cantilevered for quick and easy belt removal on enclosed units

Pulleys

- 305 mm (12") crowned with 10 mm (3/8") rubber lagging on drive pulley for maximum traction and minimum belt tensions

Belt Tension

- screw type, telescoper module with 203 mm (8") to 305 mm (12") travel depending on application

Idlers

- heavy duty 127 mm (5") CEMA C with precision ground ball bearings and triple labyrinth seals for longer life

Belting

- SBR rubber belting, 225 PIW 2-ply 3 mm (1/8") x 2 mm (1/16") covers vulcanized endless with 76 mm (3") flanged walls as standard
- many other types available

Drive

- 0.75 kW (1 HP), TEFC, 208/230/460 Vac, three phase or 90/180 Vdc permanent magnet - both with helical gear reducer, sprocket and chain drive combination
- larger motor sizes and other drive packages available

Belt Cleaning

- gravity tension UHMW blade at head pulley
- return plow (optional)

Shipping Weight

- 820 kg (1800 lbs.) to 1455 kg (3200 lbs.) typical

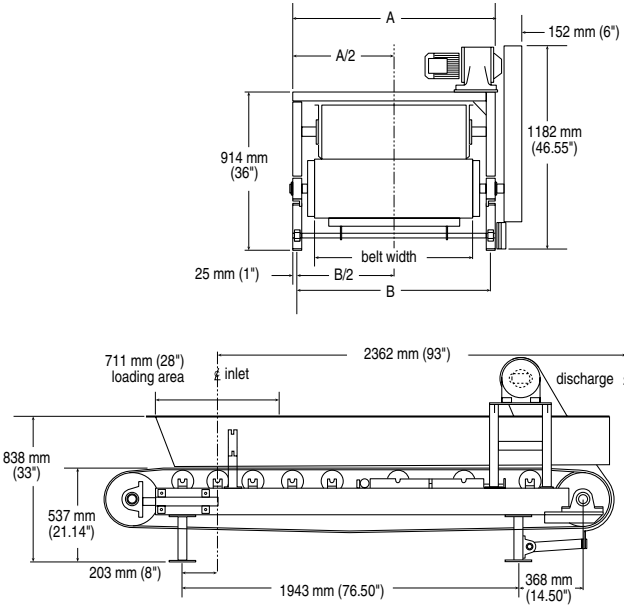
Approvals

- for use in hazardous rated areas, consult factory

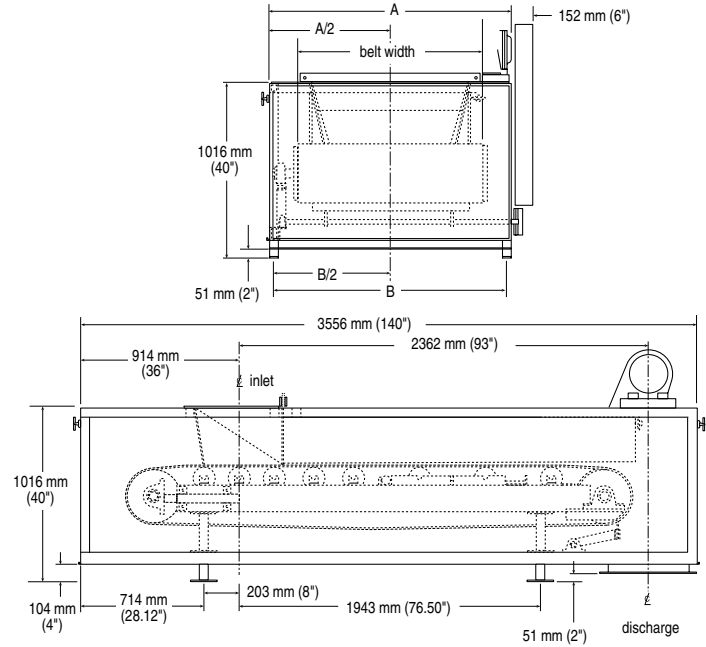
Autoweigh Feeder 1200 / 3600 Series

Dimensions

Open Construction



Enclosed Construction



Open Unit		
Belt Width	A	B
457mm (18")	686mm (27.00")	635mm (25.00")
610mm (24")	839mm (33.00")	788mm (31.00")
762mm (30")	991mm (39.00")	940mm (37.00")
914mm (36")	1143mm (45.00")	1093mm (43.00")
1067mm (42")	1296mm (51.00")	1245mm (49.00")
1219mm (48")	1448mm (57.00")	1397mm (55.00")

Enclosed Unit		
Belt Width	A	B
457mm (18")	788mm (31")	737mm (29")
610mm (24")	940mm (37")	889mm (35")
762mm (30")	1093mm (43")	1042mm (41")
914mm (36")	1245mm (49")	1194mm (47")
1067mm (42")	1397mm (55")	1347mm (53")
1219mm (48")	1550mm (61")	1499mm (59")



Australia	Tel.: +61 3-9695-2400	Fax: +61 3-9695-2450
Belgium	Tel.: +32(0)3326 45 54	Fax: +32(0)3326 05 25
Canada	Tel.: +1 705-745-2431	Fax: +1 705-741-0466
France	Tel.: +33 4 42 65 69 00	Fax: +33 4 42 58 63 95
Germany	Tel.: +49 721 595 4607	Fax: +49 721 595 4937
Hong Kong	Tel.: +85 2-2856-3166	Fax: +85 2-2856-2962
Mexico	Tel.: +52 5 575-27-28	Fax: +52 5 575-26-86
The Netherlands	Tel.: +31(0)76 542 7 542	Fax: +31(0)76 542 8 542
Switzerland	Tel.: +41 21 791 58 28	Fax: +41 21 791 58 40
United Kingdom	Tel.: +44 1905-450500	Fax: +44 1905-450501
United States	Tel.: +1 817-277-3543	Fax: +1 817-277-3894

www.milltronics.com