



Solar Digital Thermometer

Back Connected Digital Thermometer

Type TI.80

Thermometers

Application

Biotech, chemical/petrochemical processing, composting, aviation, power generation

Size

3" (76.2 mm) - Type TI.80

Accuracy

+/- 1% of scale

Range

-50/300° F OR -50/100° C



Standard Features

Case

304 Stainless steel

Stem

Length = 1" – 72"

Diameter = .250"

Window

Glass, acrylic

Connection

½" NPT, Center Back Mount (CBM)

Sensor

Ceramic thermistor, 3-volt solar cell

Light required

35 LUX

Circuitry

15-second update time, patented safety circuit prevents false readings

Options

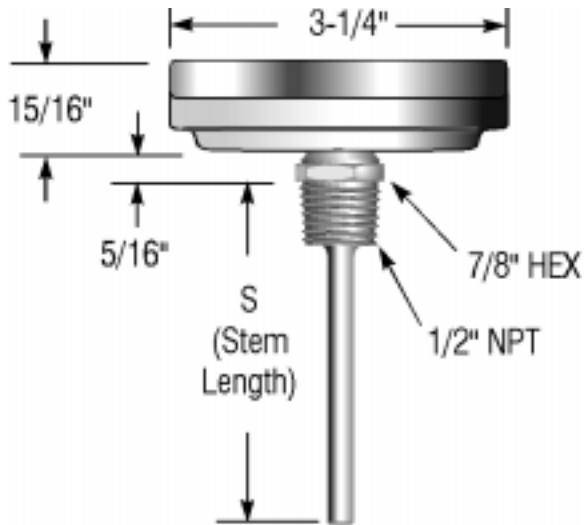
Connections (plain / 1/4"NPT / 3/8"NPT)

Sharp tip

316SS wetted parts

HD tips

Dimensions:



THE MEASURE OF
Total Performance™

Ordering Information:

State computer part number (if available) / type number / size / range / connection size and location / options required.

Specifications given in this price list represent the state of engineering at the time of printing. Modifications may take place and the specified materials may change without prior notice.

05/01



WIKA Instrument Corporation
1000 Wiegand Boulevard
Lawrenceville, Georgia 30043-5868
Tel: 770-513-8200 Fax: 770-338-5118
<http://www.wika.com> e-mail: info@wika.com



Solar Digital Thermometer

Adjustable Angle Connection Digital Thermometer

Type TI. 82

Thermometers

Application

Biotech, chemical/petrochemical processing, composting, aviation, power generation

Size

3" (76.2 mm) - Type TI.82

Accuracy

+/- 1% of scale

Range

-50/300° F OR -50/100° C

Standard Features

Case

304 Stainless steel

Stem

Length = 1" – 72"

Diameter = .250"

Window

Glass, acrylic

Connection

½" NPT, adjustable angle

Sensor

Ceramic thermistor, 3-volt solar cell

Light required

35 LUX

Circuitry

15-second update time, patented safety circuit prevents false readings

Options

Connections (plain; 1/4"NPT)

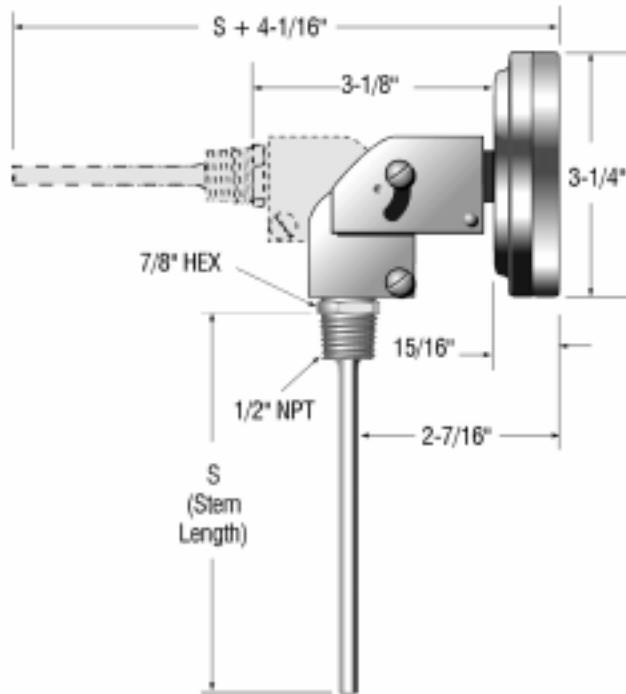
Sharp tip

316SS wetted parts

HD tips



Dimensions:



**THE MEASURE OF
Total Performance™**

Ordering Information:

State computer part number (if available) / type number / size / range / connection size and location / options required.

Specifications given in this price list represent the state of engineering at the time of printing. Modifications may take place and the specified materials may change without prior notice.

05/01



WIKAI Instrument Corporation
1000 Wiegand Boulevard
Lawrenceville, Georgia 30043-5868
Tel: 770-513-8200 Fax: 770-338-5118
<http://www.wika.com> e-mail: info@wika.com