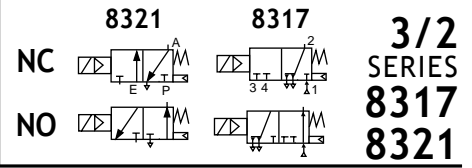




Pilot Operated
Quick Exhaust Solenoid Valves
 Brass or Stainless Steel Bodies
 1/4" and 3/8" NPT



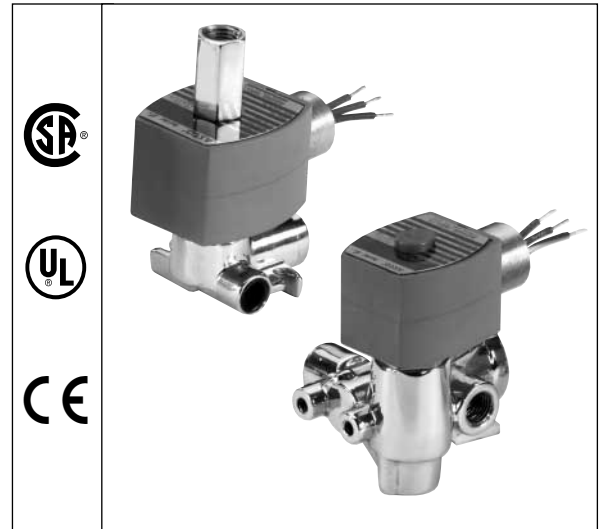
3/2
SERIES
8317
8321

Features

- Designed for quick venting to 0 psi through the exhaust orifice.
- Resilient seated poppets for tight shutoff.
- Air is exhausted to quickly shift control valves.
- Multi-industry applications.
- Mountable in any position.

Construction

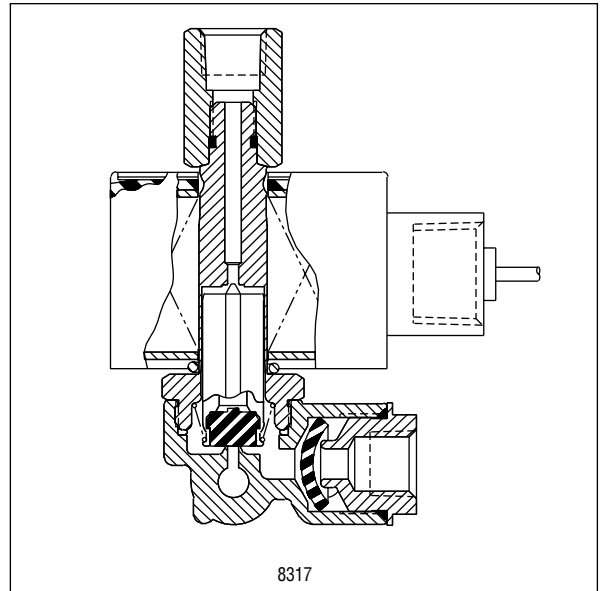
Valve Parts in Contact with Fluids		
Body	Brass	304 Stainless Steel
Seals and Disc	NBR (PA upper disc for 8317 Series)	
Diaphragm	CR (8317 Series only)	
Core Tube	305 Stainless Steel	
Core and Plugnut	430F Stainless Steel	
Core Springs	302 and 17-7 PH Stainless Steel	
Shading Coil	Copper	Silver
Pilot Seat Cartridge and Disc-Holder	CA (8321 Series only)	
Piston	Brass and 303 Stainless Steel (8321 only)	



Electrical

Standard Coil and Class of Insulation	Watt Rating and Power Consumption				Spare Coil Part No.			
	DC Watts	AC			General Purpose		Explosionproof	
		Watts	VA Holding	VA Inrush	AC	DC	AC	DC
F	10.6	6.1	16	30	238210	238310	238214	238314
F	11.6	10.1	25	50	238610	238710	238614	238714

Standard Voltages: 24, 120, 240, 480 volts AC, 60 Hz (or 110, 220 volts AC, 50 Hz). 6, 12, 24, 120, 240 volts DC. Must be specified when ordering. Other voltages are available when required.



Nominal Ambient Temperature Ranges:

AC: 32°F to 125°F (0°C to 52°C)
 DC: 32°F to 104°F (0°C to 40°C)
Refer to Engineering Section for details.

Approvals:

CSA certified. UL listed General Purpose Valves. Meets applicable CE directives.
Refer to Engineering Section for details.

Important:

A Minimum Operating Pressure Differential must be maintained between the pressure and exhaust ports. Supply and exhaust piping must be full area, unrestricted. ASCO flow controls and other similar components must be installed in the cylinder lines only.

Solenoid Enclosures

Standard: Watertight, Types 1, 2, 3, 3S, 4, and 4X.
Optional: Explosionproof and Watertight, Types 3, 3S, 4, 4X, 6, 6P, 7, and 9.
 (To order, add prefix "EF" to the catalog number.)
See Optional Features Section for other available options.

Specifications (English units)

Pipe Size (ins.)	Orifice Size (ins.)		Cv Flow Factor		Operating Pressure Differential (psi)						Max. Fluid Temp. °F		Brass Body		Stainless Steel Body		Watt Rating/Class of Coil Insulation ③		
	Press.	Exh.	Press.	Exh.	Min. ①	Max. AC			Max. DC			AC	DC	Catalog Number	Constr. Ref. No.	Catalog Number	Constr. Ref. No.	AC	DC
						Air-Inert Gas	Water	Lt. Oil ① @45 SSU	Air-Inert Gas	Water	Lt. Oil ① @45 SSU								
NORMALLY CLOSED (Pressure at Port 2) / NORMALLY OPEN (Pressure at Port 3)																			
1/4	3/32	1/4	.20	.73	5 ②	80	50	50	40	30	15	180	104	8317G7	2	8317G8	4	10.1/F	11.6/F
NORMALLY CLOSED (Closed when de-energized)																			
1/4	3/32	1/4	.20	.73	5 ②	150	150	95	75	55	30	180	104	8317G35	2	8317G36	4	10.1/F	11.6/F
1/4	9/32	11/32	.80	1.20	10	200	200	200	200	200	200	180	120	8321G1	3	-	-	6.1/F	10.6/F
3/8	9/32	11/32	.80	1.20	10	200	200	200	200	200	200	180	120	8321G2	3	-	-	6.1/F	10.6/F
NORMALLY CLOSED (Closed when de-energized), Air Only - Vents to Atmosphere																			
1/4	3/32	1/4	.20	.73	5	150	-	-	-	-	-	180	-	8317G23	1	8317G24	5	10.1/F	-
NORMALLY OPEN (Open when de-energized)																			
1/4	3/32	1/4	.15	.73	5 ②	160	160	95	75	45	25	180	104	8317G53	2	8317G54	4	10.1/F	11.6/F
1/4	9/32	11/32	.80	1.20	10	200	200	200	200	200	200	180	120	8321G3	3	-	-	6.1/F	10.6/F
3/8	9/32	11/32	.80	1.20	10	200	200	200	200	200	200	180	120	8321G4	3	-	-	6.1/F	10.6/F

Notes: ① Rating for 8321 valves established with 300 SSU light oil. ② Minimum Operating Pressure Differential on light oil is 10 psi (.7 bar).
③ On 50 hertz service, the watt rating for the 6.1/F solenoid is 8.1 watts.

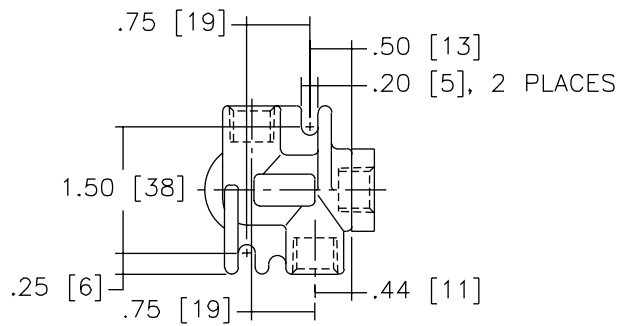
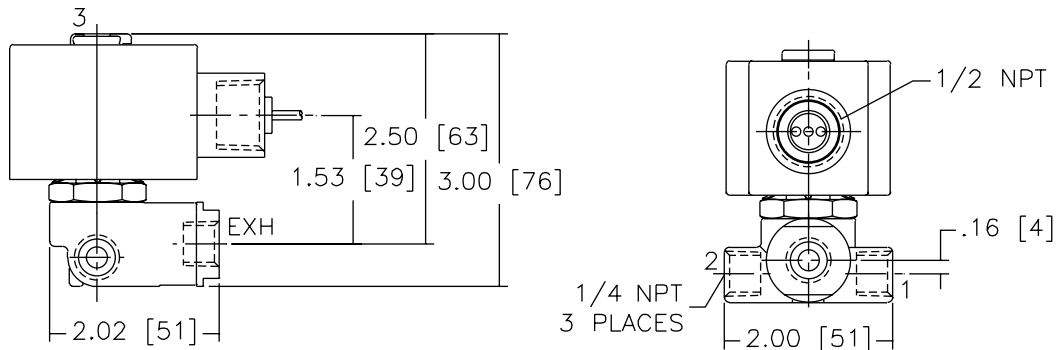
Specifications (Metric units)

Pipe Size (ins.)	Orifice Size (mm)		Kv Flow Factor (m3/h)		Operating Pressure Differential (bar)						Max. Fluid Temp. °C		Brass Body		Stainless Steel Body		Watt Rating/Class of Coil Insulation ③		
	Press.	Exh.	Press.	Exh.	Min. ①	Max. AC			Max. DC			AC	DC	Catalog Number	Constr. Ref. No.	Catalog Number	Constr. Ref. No.	AC	DC
						Air-Inert Gas	Water	Lt. Oil ① @45 SSU	Air-Inert Gas	Water	Lt. Oil ① @45 SSU								
NORMALLY CLOSED (Pressure at Port 2) / NORMALLY OPEN (Pressure at Port 3)																			
1/4	2	6	.17	.63	.3 ②	6	3	50	40	30	15	81	40	8317G7	2	8317G8	4	10.1/F	11.6/F
NORMALLY CLOSED (Closed when de-energized)																			
1/4	2	6	.17	.63	.3 ②	10	7	95	75	55	30	81	40	8317G35	2	8317G36	4	10.1/F	11.6/F
1/4	7	9	.69	1.03	.7	14	14	200	200	200	200	81	48	8321G1	3	-	-	6.1/F	10.6/F
3/8	7	9	.69	1.03	.7	14	14	200	200	200	200	81	48	8321G2	3	-	-	6.1/F	10.6/F
NORMALLY CLOSED (Closed when de-energized), Air Only - Vents to Atmosphere																			
1/4	2	6	.17	.63	.3	10	-	-	-	-	-	81	-	8317G23	1	8317G24	5	10.1/F	-
NORMALLY OPEN (Open when de-energized)																			
1/4	2	6	.13	.63	.3 ②	11	11	7	5	3	2	81	40	8317G53	2	8317G54	4	10.1/F	11.6/F
1/4	7	9	.69	1.03	.7	14	14	14	14	14	14	81	48	8321G3	3	-	-	6.1/F	10.6/F
3/8	7	9	.69	1.03	.7	14	14	14	14	14	14	81	48	8321G4	3	-	-	6.1/F	10.6/F

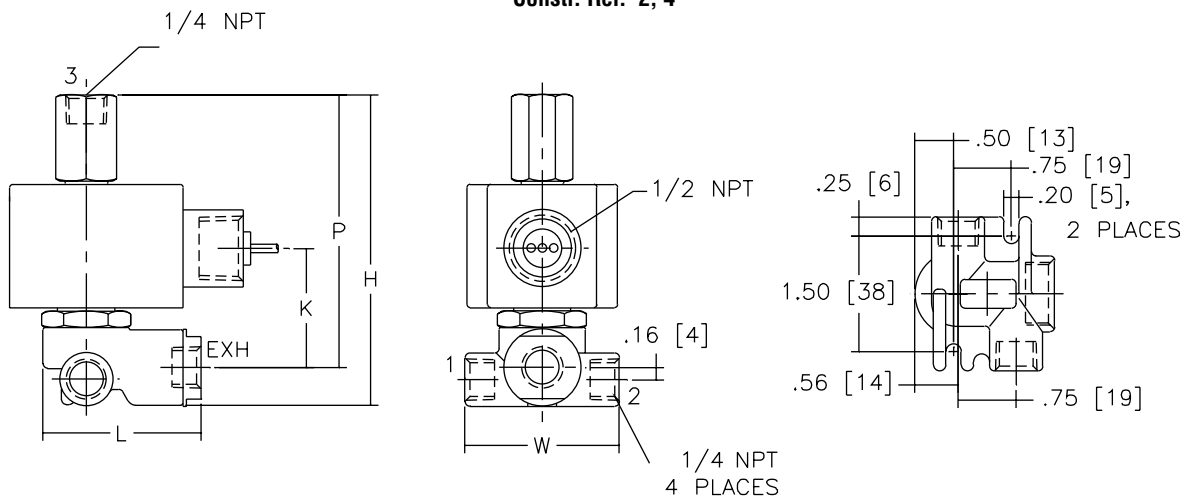
Dimensions: inches (mm)

Constr. Ref. No		H	K	L	P	W
2	ins.	4.04	1.55	2.05	3.54	2.00
	mm	103	39	52	90	51
4	ins.	4.02	1.53	2.02	3.52	2.00
	mm	102	39	51	89	51

Constr. Ref. 1, 5



Constr. Ref. 2, 4



Dimensions: inches (mm)

