

Features

- Specially designed for reverse jet-type dust collector systems.
- High flow Cv's to 140 for effective bag cleaning.
- High cycle life.
- Fast opening/closing.

Construction

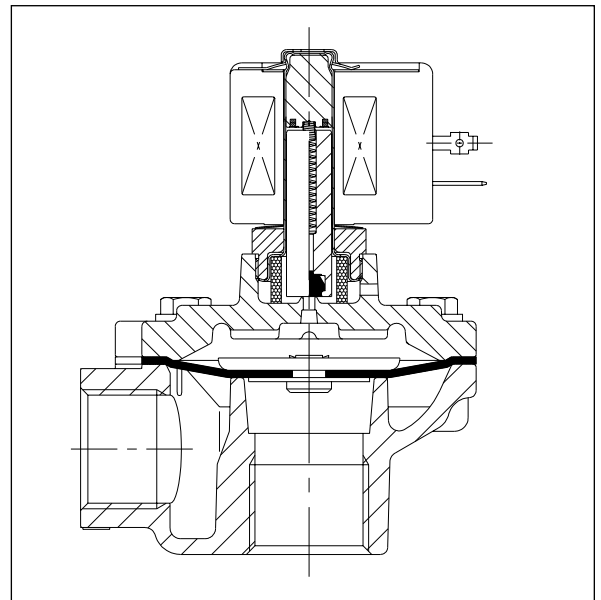
Valve Parts in Contact with Fluids	
Body	Aluminum
Seals	NBR
Diaphragm	NBR, HYT, or CR, as noted
Discs	NBR or PA, as noted



Electrical

Standard Coil and Class of Insulation	Watt Rating and Power Consumption			Spare Coil Part No.	
	AC			General Purpose	Explosionproof
	Watts	VA Holding	VA Inrush	AC	AC
F	6.1	16	30	238210	238214
F	10.1	25	50	238610	238614
F	17.1	40	70	238610	238614

Standard Voltages: 24, 120, 240, 480 volts AC, 60 Hz (or 110, 220 volts AC, 50 Hz). Consult factory for DC voltage. Other voltages are available when required.



Solenoid Enclosures

Standard: Watertight, Types 1, 2, 3, 3S, 4, and 4X.
Optional: Explosionproof and Watertight, Types 3, 3S, 4, 4X, 6, 6P, 7, and 9.
 (To order, add prefix "EF" to catalog number.)
 See *Optional Features Section* for other available options.
 Consult your local ASCO office for details on accessories.

Nominal Temperature Ranges:

Ambient: AC constructions: 0°F to 185°F (-18°C to 85°C).
 150°F (66°C) maximum for valves with HYT diaphragm.
 Consult local sales office for DC constructions.

Fluids: 0°F to 185°F (-18°C to 85°C), except as noted.
 For temperatures to 300°F (149°C), specify FPM, suffix "V" (except where noted).
 Refer to *Engineering Section* for details.

SERIES
8353
Dust Collector



Specifications (English units)

Pipe Size (ins.)	Orifice Size (ins.)	Cv Flow Factor	Min. Operating Pressure Differential (psi) ⑩	Max. Operating Pressure Differential (psi) ⑩	Integral Pilot		Remote Pilot Construction (Minimum Pilot Valve Orifice Size = 1/8")	Constr. Ref. No.	Watt Rating/Class of Coil Insulation	Rebuild Kit AC Valves	Diaphragm Only 10 Pack "Zip" Kit
					Catalog Number	Catalog Number					
3/4	3/4	10.5	5	125	--		8353C33 ③	1	-	K96875	K238864
3/4 ①	3/4	10.5	5	125	--		8353C30 ③	1	-	K96875	K238864
3/4 ②	3/4	10.5	5	125	--		8353C4 ③	1	-	K96875	K238864
1	1 1/8	20	5	125	--		8353C35 ④	1	-	K200262	K238866
1	1 1/8	20	5	125	8353G41 ④	--		4	6.1/F	K314450	K238866
1	1 5/8	18	15	125	8353G6 ⑤ ⑧	--		3	17.1/F	K300144	--
1 1/4	1 5/8	20	15	125	8353G5 ⑤ ⑧	--		3	17.1/F	K300144	--
1 1/2	1 1/2	35	15	125	8353G1 ⑤ ⑧	--		3	17.1/F	K300144	--
1 1/2	2	53	10	125	--		8353H38 ④	2	-	K276886	K238870
1 1/2	2	53	5	125	8353J39 ④	--		5	10.1/F	K322108	K238870
1 1/2	2	48	5	125	8353G61 ⑨	--		5	10.1/F	K316297	--
1 1/2	2	48	10	125	--		8353A62 ⑨	2	-	K276884	--
2	2	60	15	125	8353G2 ⑤ ⑧	--		3	17.1/F	K300145	--
2	2	76	5	125	--		835348 ⑥ ⑦	2	-	K256802	K256797
2	2	76	5	125	8353G50 ⑥	--		5	10.1/F	K316029	K256797
2 1/2	2 1/2	82	5	125	--		835349 ⑥ ⑦	2	-	K256802	K256797
2 1/2	2 1/2	82	5	125	8353G51 ⑥	--		5	10.1/F	K316029	K256797
2 1/2	3	82	15	125	8353G7 ⑤	--		6	10.1/F	K176878	--
3	3	140	15	125	8353G8 ⑤	--		6	10.1/F	K176878	--

Notes: ① Supplied with internal slip fit connection on outlet.
 ② Extended ends for Dresser connections.
 ③ NBR diaphragm.
 ④ HYT diaphragm max. fluid temp. 150°F. For higher temperature, consult factory.
 ⑤ CR diaphragm/PA disc.
 ⑥ CR diaphragm.
 ⑦ Minimum pilot orifice size 7/32".
 ⑧ Consult factory for remote piloted construction.
 ⑨ NBR diaphragm, PA disc, long-life construction. Maximum fluid temp. 185°F.
 ⑩ Contact local sales office for DC pressure requirements.

Specifications (Metric units)

Pipe Size (ins.)	Orifice Size (mm)	Kv Flow Factor (m3/h)	Min. Operating Pressure Differential (bar) ⑩	Max. Operating Pressure Differential (bar) ⑩	Integral Pilot		Remote Pilot Construction (Minimum Pilot Valve Orifice Size = 1/8")	Constr. Ref. No.	Watt Rating/Class of Coil Insulation	Rebuild Kit AC Valves	Diaphragm Only 10 Pack "Zip" Kit
					Catalog Number	Catalog Number					
3/4	19	9.0	0.3	8.6	--		8353C33 ③	1	-	K96875	K238864
3/4 ①	19	9.0	0.3	8.6	--		8353C30 ③	1	-	K96875	K238864
3/4 ②	19	9.0	0.3	8.6	--		8353C4 ③	1	-	K96875	K238864
1	29	17.1	0.3	8.6	--		8353C35 ④	1	-	K200262	K238866
1	29	17.1	0.3	8.6	8353G41 ④	--		4	6.1/F	K314450	K238866
1	41	15.4	1.0	8.6	8353G6 ⑤ ⑧	--		3	17.1/F	K300144	--
1 1/4	41	17.1	1.0	8.6	8353G5 ⑤ ⑧	--		3	17.1/F	K300144	--
1 1/2	38	30.0	1.0	8.6	8353G1 ⑤ ⑧	--		3	17.1/F	K300144	--
1 1/2	51	45.4	0.7	8.6	--		8353H38 ④	2	-	K276886	K238870
1 1/2	51	45.4	0.3	8.6	8353J39 ④	--		5	10.1/F	K322108	K238870
1 1/2	51	41.1	0.3	8.6	8353G61 ⑨	--		5	10.1/F	K316297	--
1 1/2	51	41.1	0.7	8.6	--		8353A62 ⑨	2	-	K276884	--
2	51	51.4	1.0	8.6	8353G2 ⑤ ⑧	--		3	17.1/F	K300145	--
2	51	65.1	0.3	8.6	--		835348 ⑥ ⑦	2	-	K256802	K256797
2	51	65.1	0.3	8.6	8353G50 ⑥	--		5	10.1/F	K316029	K256797
2 1/2	64	70.3	0.3	8.6	--		835349 ⑥ ⑦	2	-	K256802	K256797
2 1/2	64	70.3	0.3	8.6	8353G51 ⑥	--		5	10.1/F	K316029	K256797
2 1/2	76	70.3	1.0	8.6	8353G7 ⑤	--		6	10.1/F	K176878	--
3	76	120.0	1.0	8.6	8353G8 ⑤	--		6	10.1/F	K176878	--

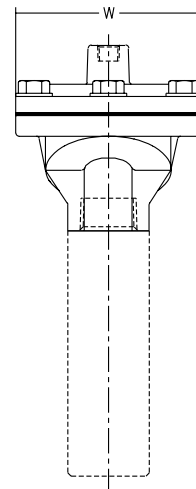
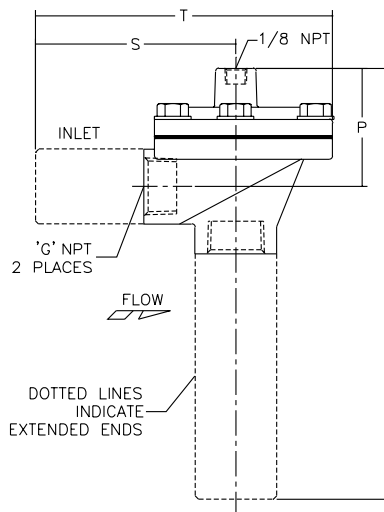
SERIES
8353
Dust Collector



Dimensions: inches (mm)

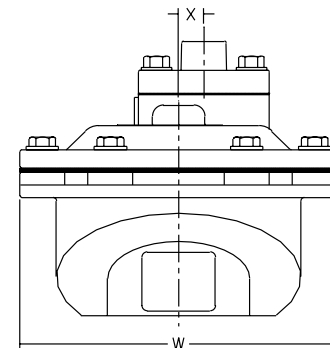
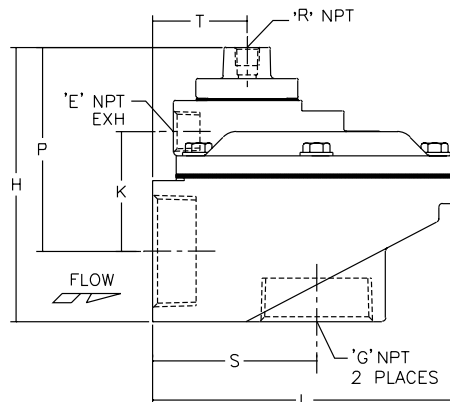
Cat. No.	"G"		H	L	P	Bonnet Bolts	T	W
8353C4	Extended End	ins.	7.94	3.69	2.16	5.00	5.16	3.44
		mm	201.6	93.7	54.8	127.0	131.0	87.3
8353C30	3/4 NPT (Inlet)	ins.	3.44	1.69	2.19	5.00	3.47	3.44
		mm	87.3	42.9	55.6	127.0	88.1	87.3
	3/4 Socket (Outlet)	ins.	3.44	1.69	2.19	5.00	3.47	3.44
		mm	87.3	42.9	55.6	127.0	88.1	87.3
8353C33	3/4 NPT	ins.	3.44	1.69	2.19	5.00	3.47	3.44
		mm	87.3	42.9	55.6	127.0	88.1	87.3
8353C35	1 NPT	ins.	2.53	2.03	1.69	4.00	3.50	2.94
		mm	64.3	51.6	42.9	101.6	88.9	74.6

Constr. Ref. 1



Cat. No.	"E" NPT	"G" NPT	H	L	P	"R" NPT	S	T	W	X	
8353H38	3/8	1 1/2	ins.	4.63	5.16	3.44	1/8	2.78	1.61	5.38	0.44
			mm	117.5	131.0	87.3		70.6	40.9	136.5	11.1
8353A62	3/8	1 1/2	ins.	5.16	5.16	3.44	1/8	2.78	1.61	5.38	0.44
			mm	131.0	131.0	87.3		70.6	40.9	136.5	11.1
835348	3/4	2	ins.	6.47	6.63	4.69	1/4	3.75	2.56	6.50	--
			mm	164.3	168.3	119.1		95.3	65.1	165.1	--
835349	3/4	2 1/2	ins.	6.47	6.63	4.69	1/4	3.75	2.56	6.50	--
			mm	164.3	168.3	119.1		95.3	65.1	165.1	--

Constr. Ref. 2



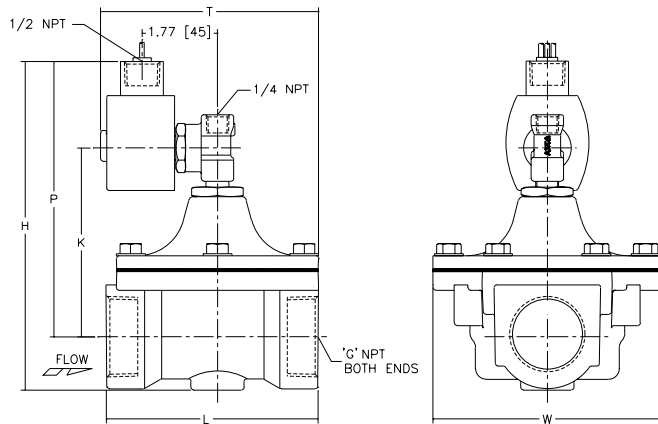
SERIES
8353
 Dust Collector



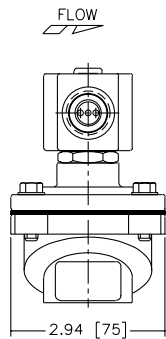
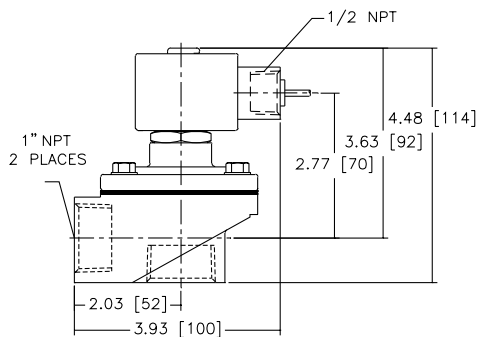
Dimensions: inches (mm)

Constr. Ref. 3

Cat. No.	"G" NPT		H	L	P	S	T	W
8353G1	1 1/2	ins.	7.72	5.00	6.47	1.78	5.13	5.38
		mm	196.1	127.0	164.3	45.2	130.2	136.5
8353G2	2	ins.	8.34	6.09	6.84	1.78	5.56	6.34
		mm	211.9	154.8	173.8	45.2	141.3	161.1
8353G5	1 1/4	ins.	7.72	5.00	6.47	1.78	5.13	5.38
		mm	196.1	127.0	164.3	45.2	130.2	136.5
8353G6	1	ins.	7.72	5.00	6.41	1.78	5.13	5.38
		mm	196.1	127.0	162.7	45.2	130.2	136.5

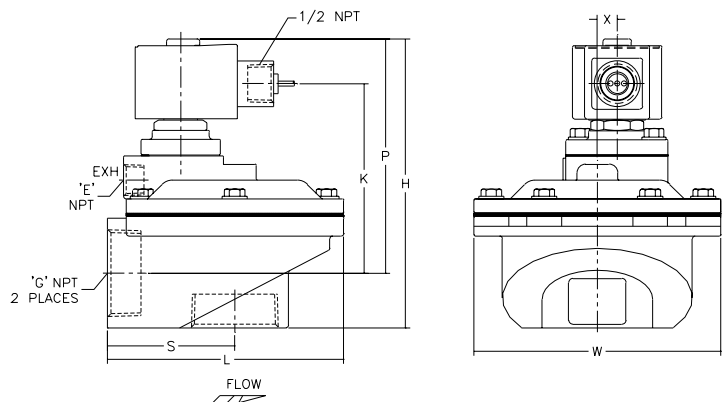


Constr. Ref. 4



Constr. Ref. 5

Cat. No.	"E" NPT	"G" NPT		H	L	P	S	T	W	X
8353J39	3/8	1 1/2	ins.	6.28	5.16	5.08	2.78	1.61	5.38	0.44
			mm	159.5	131.0	129.0	70.6	40.9	136.5	11.1
8353G61	3/8	1 1/2	ins.	6.28	5.16	5.08	2.78	1.61	5.38	0.44
			mm	159.5	131.0	129.0	70.6	40.9	136.5	11.1
8353G50	3/4	2	ins.	8.25	6.63	6.47	3.75	2.56	6.50	--
			mm	209.6	168.3	164.3	95.3	65.1	165.1	--
8353G51	3/4	2 1/2	ins.	8.25	6.63	6.47	3.75	2.56	6.50	--
			mm	209.6	168.3	164.3	95.3	65.1	165.1	--



Constr. Ref. 6

