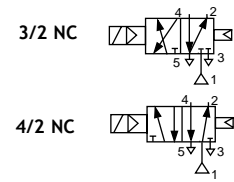




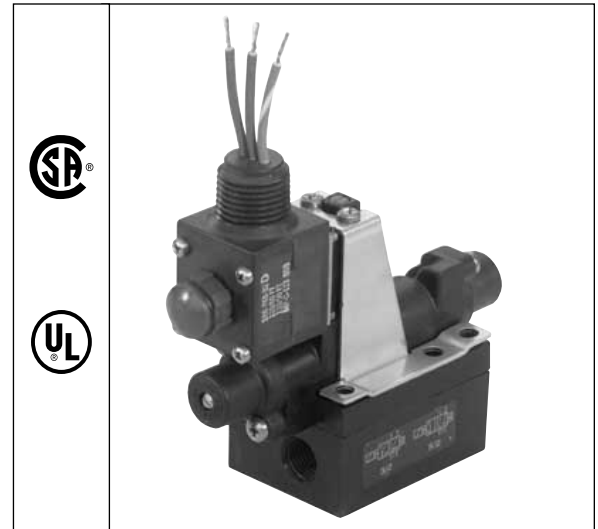
Corrosion Resistant
Direct Mount Pilot Valves
 Thermoplastic Bodies
 1/8" and 1/4" NPT



3/2 • 5/2
 SERIES
8380/8401
 Direct Mount

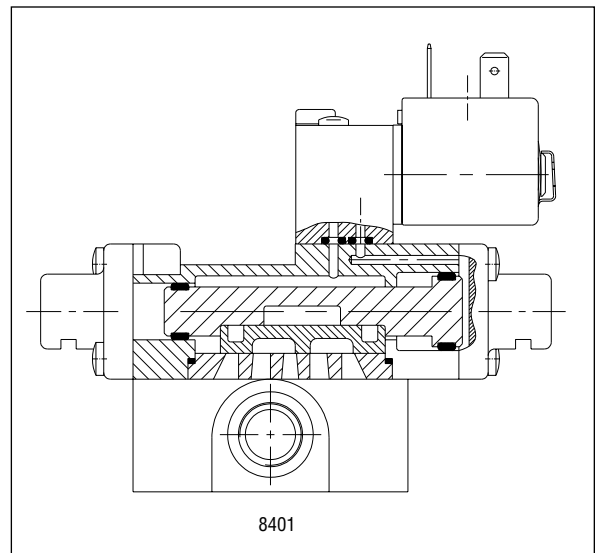
Features

- Mount directly to actuators with NAMUR, Keystone, or Worcester interfaces.
- Easy conversion from AC to DC by simply changing coil.
- Standard momentary/maintained manual operator.
- 3/2 is Normally Closed poppet design for spring return actuators.
- 3/2 Normally Closed or 4/2 operation can be selected by rotating sub-base gasket.
- 3/2 Normally Closed or 4/2 valves have built-in linear flow device capable of controlling Cv from 0.10 to 0.50.
- Breather block exhausts to spring side of actuator to prevent corrosion of the actuator.
- Unique CA slide and ceramic flow plate for extra-long life.



Construction

Valve Parts in Contact with Fluids	
Core Tube	305 Stainless Steel
Core and Plugnut	430F Stainless Steel
Springs	302 Stainless Steel
Seals	Low-Friction, Low-Wear NBR
Interface Plate	Molded PA
8401 Series Only:	
Pressure Port	303 Stainless Steel
Main and Pilot Body	Molded PA
Spool	CA
Slide	Graphite-filled PTFE
Flow Plate	Ceramic (Alumina)
Worcester Version:	
Main Body and Sub-Base	Anodized Aluminum



Electrical

Standard Coil and Class of Insulation	Watt Rating and Power Consumption				Spare Coil Part No.	
	AC					
	DC Watts	Watts	VA Holding	VA Inrush	AC	DC
F	6.9	6.3	8.8	12.1	266763	270008

Standard Voltages: 24, 120, 240 volts AC, 60 Hz (or 110, 220 volts AC, 50 Hz). 6, 12, 24, 120, 240 volts DC. Must be specified when ordering. Other voltages available upon request.

Nominal Ambient Temperature Ranges:

AC: 0°F to 104°F (-18°C to 40°C), except prefixes "U" and "SC" to 135°F (57°C)
 DC: 0°F to 77°F (-18°C to 25°C)

Note: Below 32°F (0°C), moisture-free air must be used. Consult your local ASCO sales office for lower temperature requirements.

Refer to Engineering Section for details.

Approvals:

"WT" - UL recognized component General Purpose Valve, CSA certified.

"EF" - UL listed solenoid, CSA certified.

"U" and "SC" - UL recognized component, CSA certified.

Refer to Engineering Section for details.

Solenoid Enclosures

Standard: Watertight, Types 1, 2, 3, 3S, 4, and 4X.
Optional: Explosionproof and Watertight, Types 3, 3S, 4, 4X, 6, 6P, 7, and 9. (To order, change "WT" catalog number prefix to "EF". Molded epoxy coil per 3 x DIN 46244. To order, change "WT" catalog number prefix to "SC". Molded epoxy open frame Class F coil with 18" leads. To order, change "WT" catalog number prefix to "U".) See Optional Features Section for other available options.

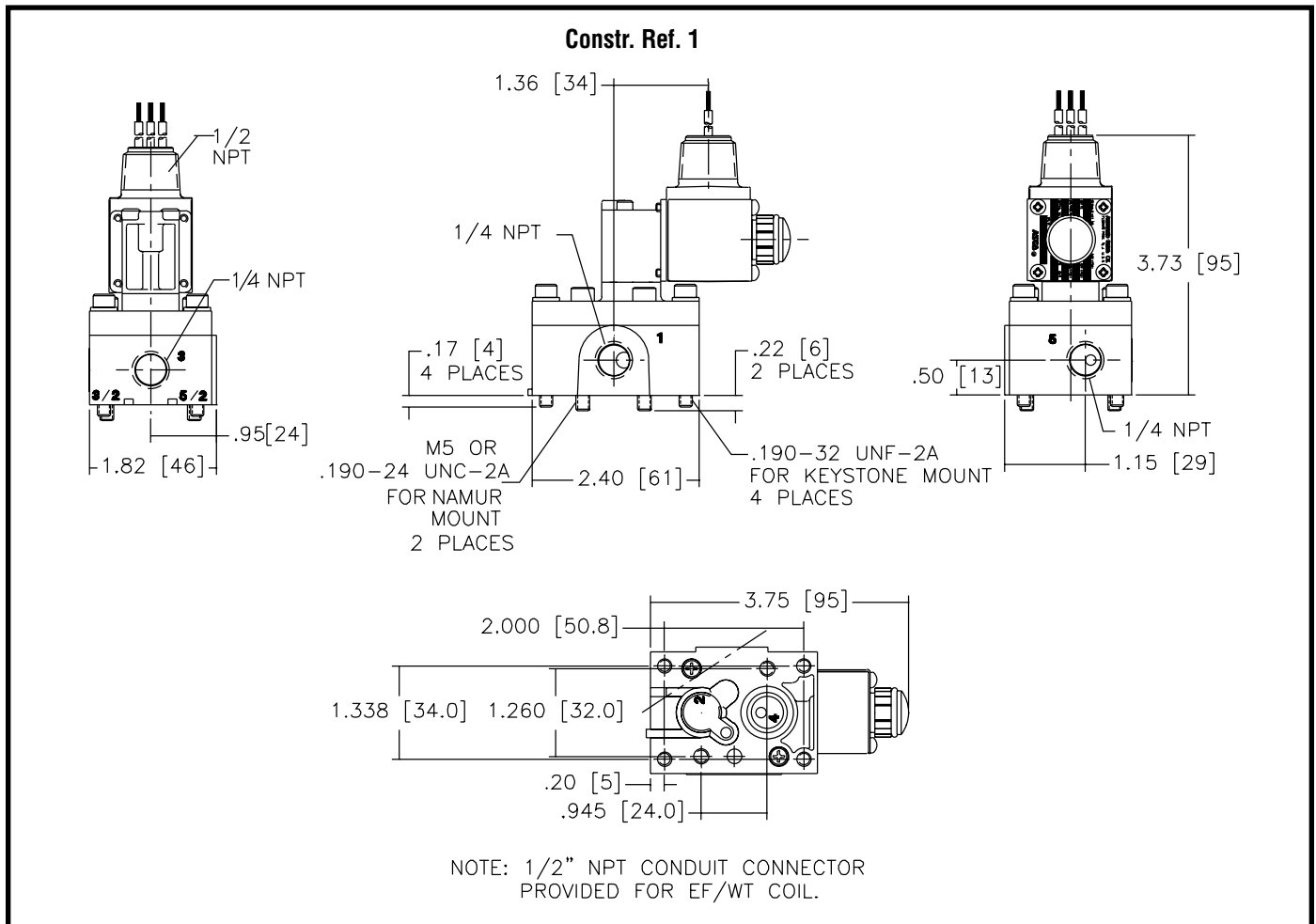
Specifications (English units)

Pipe Size (ins.)	Orifice Size (ins.)	Cv Flow Factor	Main Line Supply Pressure (psi) AC and DC				Catalog Number	Constr. Ref. No.	Interface Type	Watt Rating/ Class of Coil Insulation	
			Air-Inert Gas		Max. Fluid Temp. °F					AC	DC
			Min.	Max.	AC	DC					
3 WAY NORMALLY CLOSED (Closed when de-energized)											
1/4	3/64	.05	0	150	104	77	WT8380B202	1	NAMUR	6.3/F	6.9/F
3 WAY NORMALLY CLOSED or 4 WAY											
1/4	1/4	.50	20	150	104	77	WT8401B202M	2	NAMUR	6.3/F	6.9/F
1/4	1/4	.50	20	150	104	77	WT8401B204M	2	Keystone	6.3/F	6.9/F
1/8	1/4	.40	20	135	104	77	WT8401B200M	3	Worcester	6.3/F	6.9/F

Specifications (Metric units)

Pipe Size (ins.)	Orifice Size (mm)	Kv Flow Factor (m3/h)	Main Line Supply Pressure (bar) AC and DC				Catalog Number	Constr. Ref. No.	Interface Type	Watt Rating/ Class of Coil Insulation	
			Air-Inert Gas		Max. Fluid Temp. °C					AC	DC
			Min.	Max.	AC	DC					
3 WAY NORMALLY CLOSED (Closed when de-energized)											
1/4	1	.04	0	10	40	25	WT8380B202	1	NAMUR	6.3/F	6.9/F
3 WAY NORMALLY CLOSED or 4 WAY											
1/4	6	.43	1	10	40	25	WT8401B202M	2	NAMUR	6.3/F	6.9/F
1/4	6	.43	1	10	40	25	WT8401B204M	2	Keystone	6.3/F	6.9/F
1/8	6	.34	1	9	40	25	WT8401B200M	3	Worcester	6.3/F	6.9/F

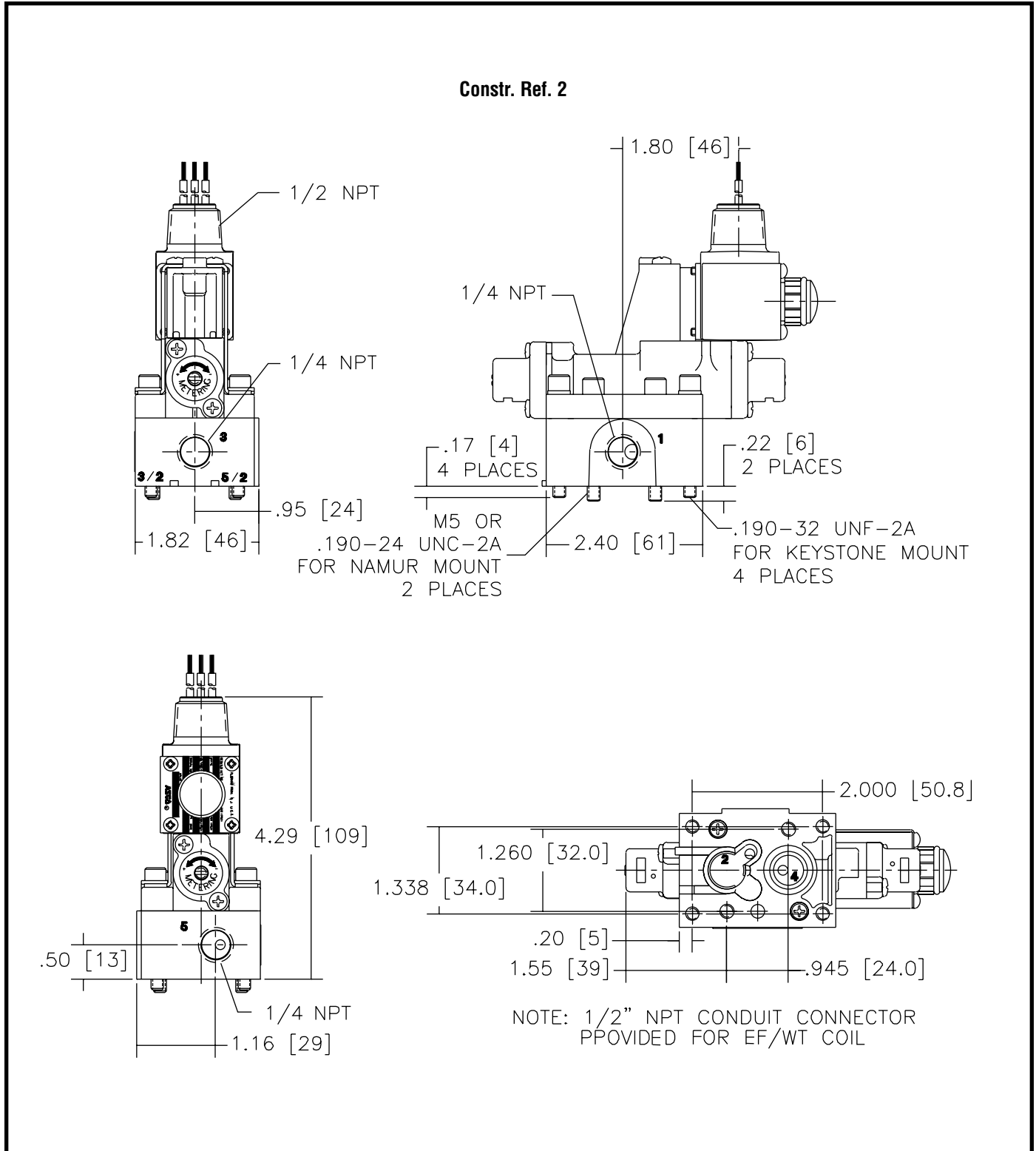
Dimensions: inches (mm)



SERIES
8380/8401
 Direct Mount



Dimensions: inches (mm)



Dimensions: inches (mm)

Constr. Ref. 3

